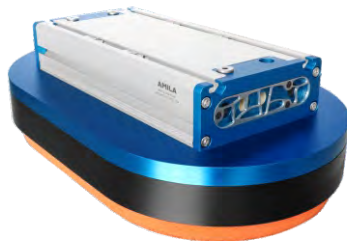


Soft Bag Grippers MSG-X



Soft Bag Grippers MSG-M



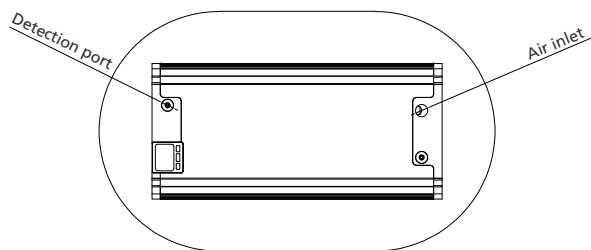
Introduction and application

- ◆ Suitable for handling product bags with different shapes, weights and materials
- ◆ Applied to bottom handling, pallet transport systems, to pallet transport systems

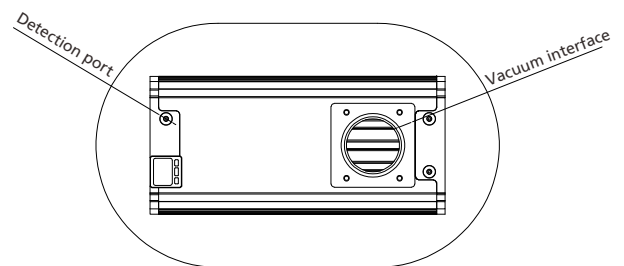
Design

- ◆ Modular design, low energy consumption, low weight, easy to install and maintain
- ◆ MSG-X aluminum profile body with built-in vacuum generator for flexibility
- ◆ MSG-M aluminum profile body, external blower
- ◆ Vacuum detection

System design Soft Bag Grippers MSG-X



System design Soft Bag Grippers MSG-M



Technical Data And Ordering Data Soft Bag Grippers MSG-X

Type	Air consumption [l/min]	Maximum suction capacity [l/min]	Weight [Kg]	Ordering Data
MSG-X-250 × 170	90	360	4.5	90.03.01.00078
MSG-X-380 × 230	180	724	6.5	90.03.01.00067
MSG-X-450 × 250	270	1086	6.0	90.03.01.00100

Technical Data And Ordering Data Soft Bag Grippers MSG-M

Type	Required suction capacity [l/min]	Weight [Kg]	Ordering Data
MSG-M-250 × 170	360	3.3	90.03.01.00079
MSG-M-380 × 230	724	5.2	90.03.01.00077
MSG-M-450 × 250	1086	4.8	90.03.01.00101

Combined Suction Cups

Vacuum Suction Cups

Composite Suction Cups

Special Grippers

Vacuum Gripping Systems

Mounting Elements

Vacuum Generators

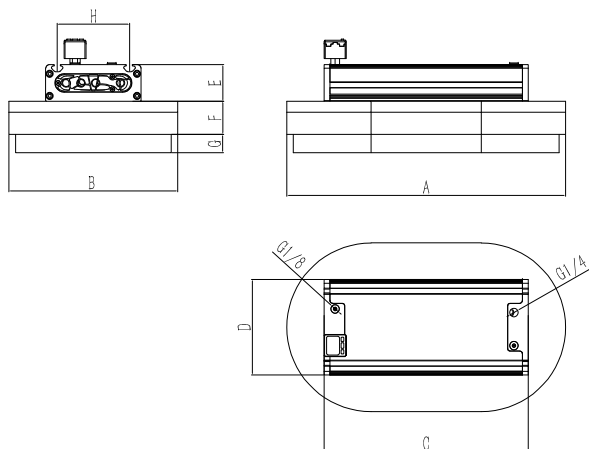
Valve Technology

Switch And Monitoring

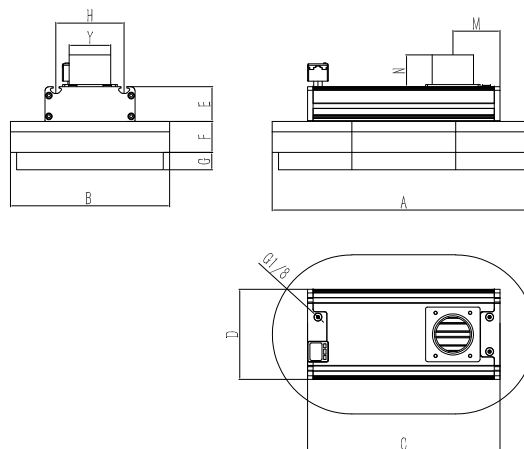
Vacuum Filters

Design Data Soft Bag Grippers MSG

MSG-X



MSG-M



Type	Dimensions[mm]										
	A	B	C	D	E	F	G	H	Y	M	N
MSG-X-250 × 170	250	170	278	130	50	45	25	98	-	-	-
MSG-X-380 × 230	380	230	278	130	50	45	25	98	-	-	-
MSG-X-450 × 250	450	250	278	130	50	45	25	98	-	-	-
MSG-M-250 × 170	250	170	278	130	50	45	25	98	60	68	46
MSG-M-380 × 230	380	230	278	130	50	45	25	98	60	68	46
MSG-M-450 × 250	450	250	278	130	50	45	25	98	60	68	46

- Combined Suction Cups
- Vacuum Suction Cups
- Composite Suction Cups
- Special Grippers
- Vacuum Gripping Systems
- Mounting Elements
- Vacuum Generators
- Valve Technology
- Switch And Monitoring
- Vacuum Filters